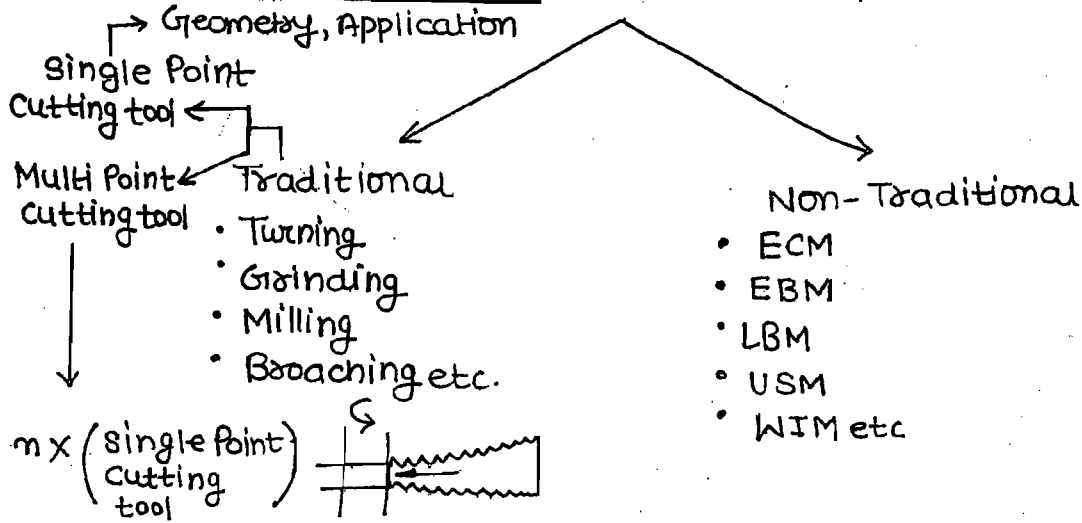


MANUS + FACTUS

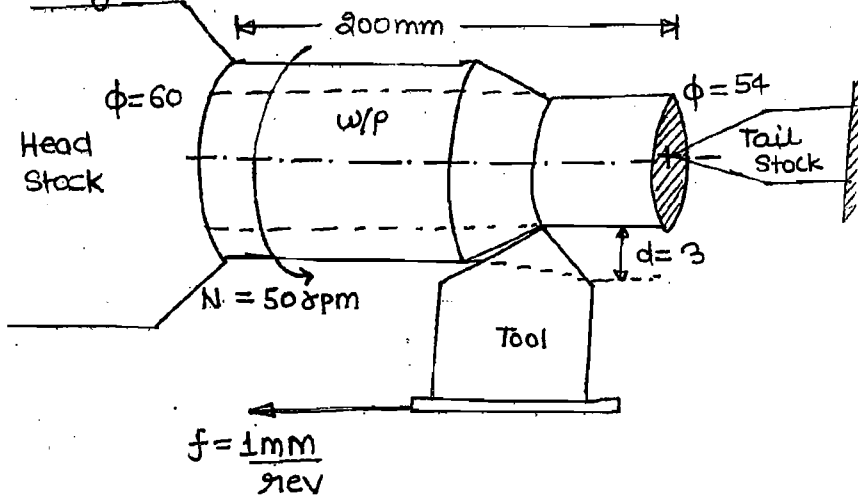
To make by Hand

New grains are forming

Material Removal Process → "MACHINING"



• Turning →

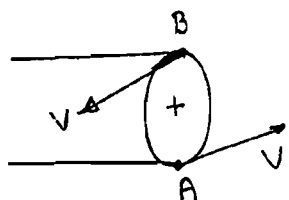


$$t_m = \frac{L \rightarrow \text{W/P}}{V \rightarrow (D, N) \text{ GW/P}}$$

$$t_m = \frac{L_e}{fN} = \frac{200}{1 \times 50} = 4 \text{ min}$$

Axial Speed

where  $L_e = L_{w/p} + \text{Allowance}$



tangential velocity

$$v = \phi(D, N)$$

$$v = \frac{\pi D N}{1000} \frac{\text{m}}{\text{min}}$$

Q → Evaluate the time of machining a Brass bar of dia 50mm and Length 50mm, final dia is 42mm. Spindle speed is 450rpm feed 0.2mm/rev., depth of cut 3mm and Length of approach is 3mm.

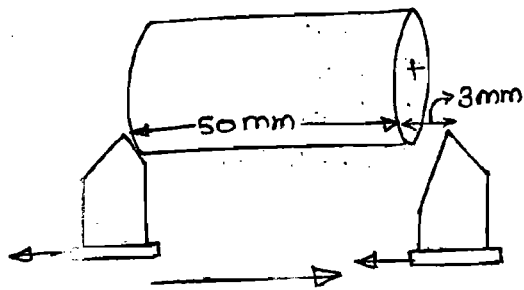
Sol<sup>n</sup>

$D = 50\text{mm}$   
 $d = 3\text{mm}$  } Roughing  
 $D = 44\text{mm}$   
 $d = 1\text{mm}$  } Finishing  
 $D = 42\text{mm}$

$$t_m = \frac{L_e}{fN} \times n$$

$$t_m = \frac{53}{0.2 \times 450} \times 2$$

$$t_m = 1.177 \text{ min}$$



Rapid tool transverse = G100 (CNC code)

→  
 Que → Find the machining time for mild steel bar of diameter 52mm which is to be reduced to 44mm dia along the length of 200mm with an approach allowance of 5mm. Cutting Parameter are as follows

Roughing Pass :-  $V_{max} = 35\text{m/min}$ ,  $d = 3\text{mm}$ ,  $f = 0.3\text{mm/rev.}$

Finishing Pass :-  $V_{max} = 50\text{m/min}$ ,  $d = 1\text{mm}$ ,  $f = 0.1\text{mm/rev.}$

$$N = \frac{V \times 1000}{\pi \times D_{max}}$$

$$V = \frac{\pi D N}{1000} \frac{\text{m}}{\text{min}}$$

## Roughing

$$N = \frac{35 \times 1000}{\pi \times 52} = 214.248 \text{ rpm}$$

$$t_{m1} = \frac{205}{0.3 \times 214.24} = 3.189 \text{ min}$$

$$t_m = t_{m1} + t_{m2}$$

$$\text{Total time (t}_m\text{)} = 9.11 \text{ min}$$

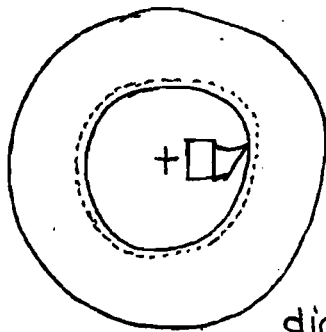
## Finishing

$$N = \frac{50 \times 1000}{\pi \times 46} = 345.98 \text{ rpm}$$

$$t_{m2} = \frac{205}{0.1 \times 346} = 5.92 \text{ min}$$

If  $V_{\max}$  is given  $N = \frac{V \times 1000}{\pi \times D_{\max}}$

is  $V_{\text{avg}}$  is given  $N = \frac{V \times 1000}{\pi \times D_{\text{avg}}}$



Hollow Cylinder

Internal Turning  $\Rightarrow$  "Boring"

dia enlargement

$L = 100 \text{ mm}$  Hollow Cylinder

$d = 2 \text{ mm}$

$V = 30 \text{ m/min}$

$30 \text{ mm} \rightarrow 40 \text{ mm}$

$f = 0.1 \text{ mm/rev}$

time of machining

Sol<sup>n</sup>

30

$\downarrow d=2$

34

$\downarrow d=2$

38

$\downarrow d=1$

40

1<sup>st</sup> Pass

$$N = \frac{30 \times 1000}{\pi \times 32} = 298.41 \text{ rpm}$$

$$t_1 = \frac{100}{0.1 \times 298.41} = 3.35 \text{ min}$$

2<sup>nd</sup> Pass

$$N = \frac{30 \times 1000}{\pi \times 36} = 265.25 \text{ rpm}$$

$$t_2 = \frac{100}{0.1 \times 265.25} = 3.77 \text{ min}$$

3<sup>rd</sup> Pass.

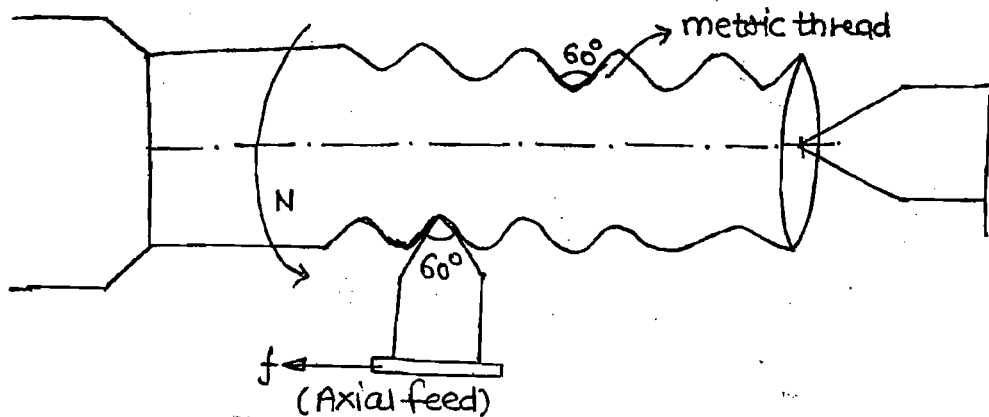
$$N = \frac{30 \times 1000}{\pi \times 39} = 244.85 \text{ rpm}$$

$$t_3 = \frac{100}{0.1 \times 244.85} = 4.08 \text{ min}$$

NOTE: → if  $V$  is given, Calculate  $N$  at every Pass.

Threading →

Threads → continuous form of helical ridges.



It is a continuous form of helical ridges produced over a cylinder or frustum. Externally or internally used for motion transmission and fastening two objects.

- Threads can be produced by:
  - (i) Thread chasing (Lathe)
  - (ii) Tapping (drilling machine)
  - (iii) Helical milling (Form milling)
  - (iv) Grinding
  - (v) Thread Rolling (Forming)

